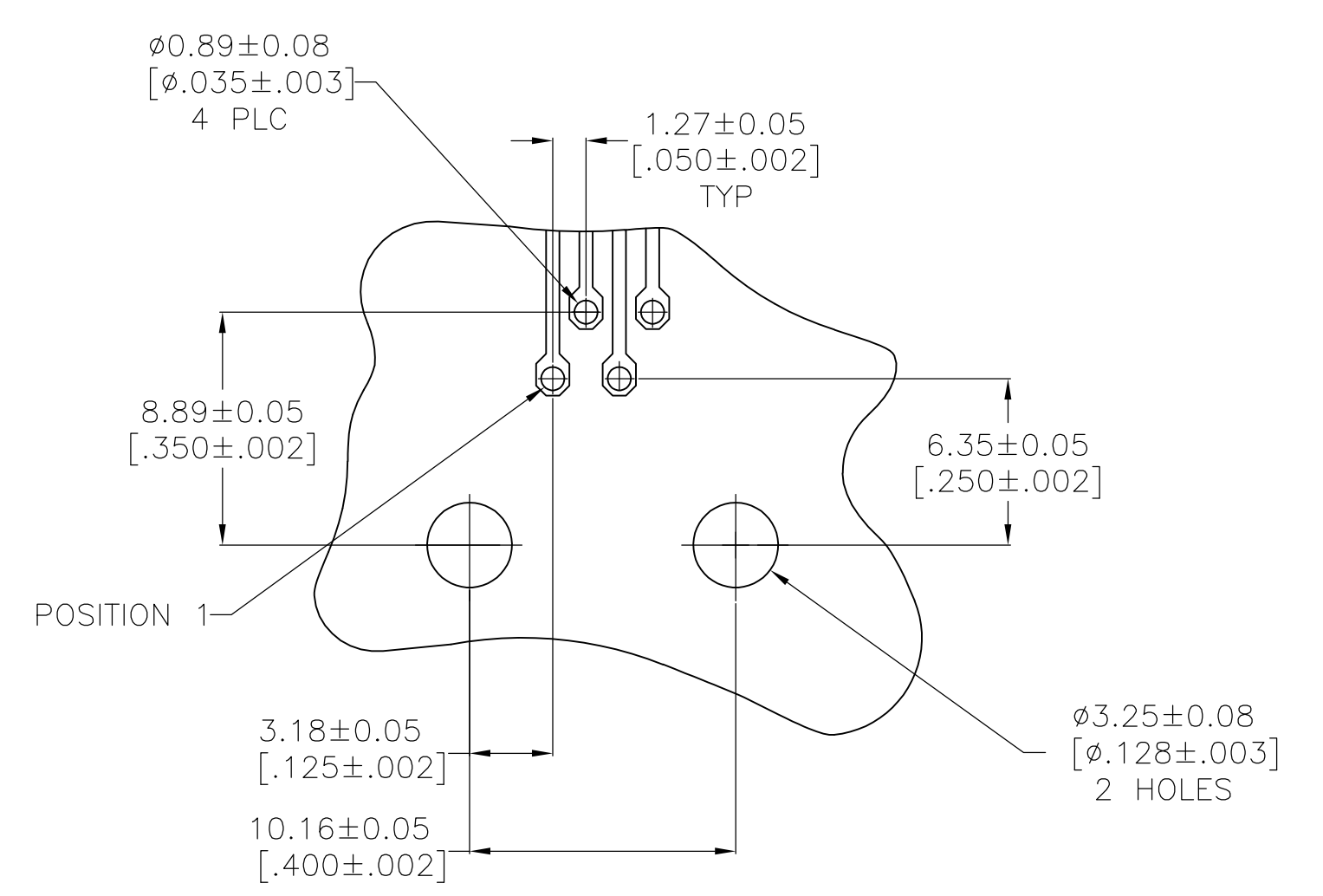
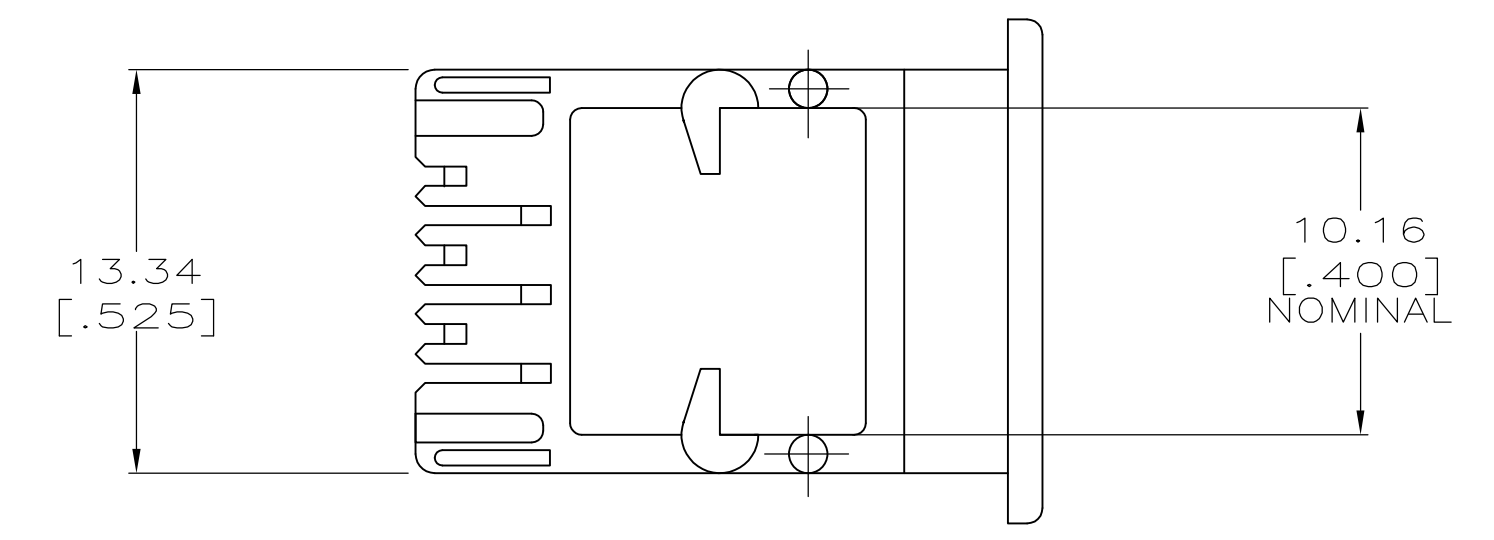
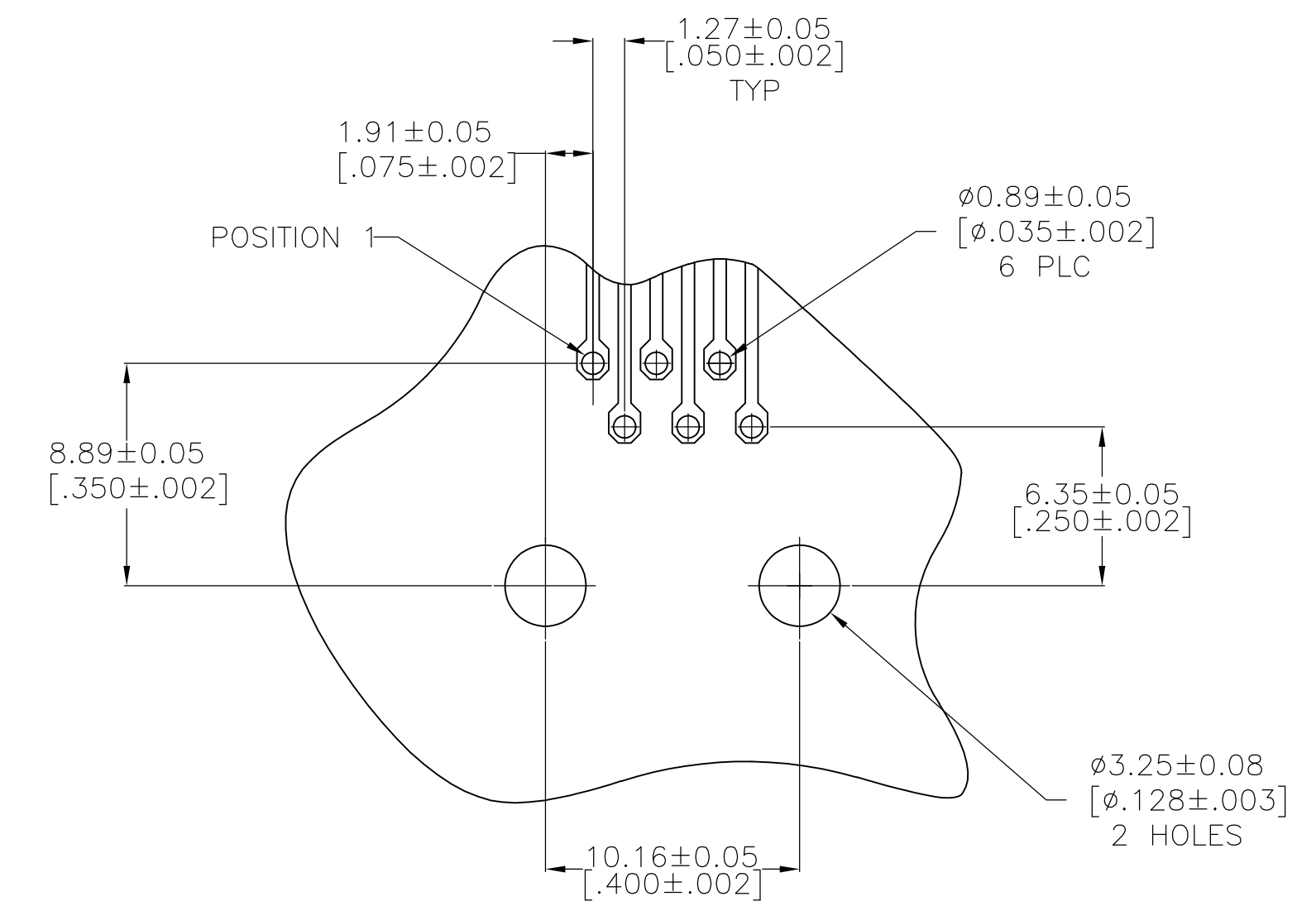


SUGGESTED PANEL CUTOUT GUIDELINES
SCALE 1:1



RECOMMENDED PRINTED CIRCUIT BOARD LAYOUT
FOR FOUR CONTACTS
COMPONENT SIDE



RECOMMENDED PRINTED CIRCUIT BOARD LAYOUT
FOR SIX CONTACTS
COMPONENT SIDE

- 1 MATERIAL:
HOUSING - PBT POLYESTER, BLACK.
TERMINAL - 0.36 [.014] THICK PHOS BRONZE PLATED WITH 1.27µm [.000050] MINIMUM THICK HARD GOLD IN LOCALIZED GOLD PLATE AREA AND 3.81µm [.000150] THICK MATTE TIN IN SOLDER AREA OVER 1.27µm [.000050] MINIMUM THICK NICKEL UNDERPLATE.
- 2 CAVITY CONFORMS TO FCC RULES AND REGULATION PART 68 AND REA BULLETIN 345-81, PE-76 SPECIFICATION FOR MODULAR TELEPHONE HARDWARE.
- 3 ALL DIMENSION ARE MAXIMUM UNLESS OTHERWISE SPECIFIED.

6	5520242-3
4	5520242-2
CONTACTS	PART NO.

THIS DRAWING IS A CONTROLLED DOCUMENT.		DIN J. ALCORTA - 17JUN2005	Tyco Electronics Corporation Harrisburg, PA 17105-3608	
DIMENSIONS: mm [INCHES]		DOCK#5 J. WESTMAN 17JUN2005	APVD S. FLICKINGER 17JUN2005	
TOLERANCES UNLESS OTHERWISE SPECIFIED:		NAME S. FLICKINGER		
0 PLC ± -	1 PLC ± -	PRODUCT SPEC 108-1163		
2 PLC ± -	3 PLC ± -	APPLICATION SPEC 114-2048		
4 PLC ± -	ANGLES ± -	SIZE A1	CAGE CODE 00779	DRAWING NO. 5520242
MATERIAL 1	FINISH 1	WEIGHT -	RESTRICTED TO -	CUSTOMER DRAWING
		SCALE 4:1	SHEET 1 of 1	REV C